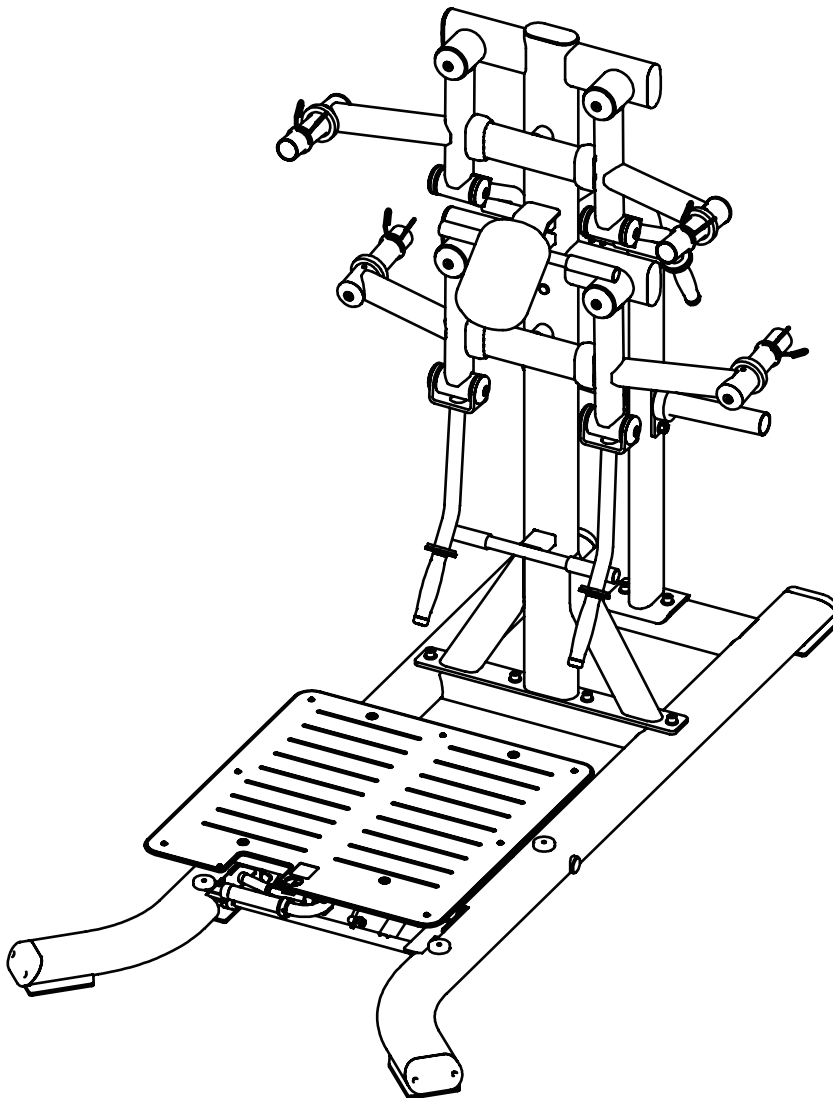




DSH034

VSTANDING MULTI FLIGHT

# OWNER'S MANUAL



## **! CAUTION**

Read all precautions  
and instructions in this manual  
before using this equipment

Read all precautions and instructions in this manual before using this equipment.

## Table Of Contents

Important Safety Instructions-----	3
Instructions-----	4
Parts List-----	5
Exploded View-----	6
Measurement Guide-----	7
Assembly Instructions-----	8
Assembly-----	9
Maintenance Schedule-----	13
General Maintenance Information-----	14
Weight Training Tips-----	15

## Important Safety Instructions

Before beginning any fitness program, you should obtain a complete physical examination from your physician. When using exercise equipment, basic precautions should always be taken, including the following:

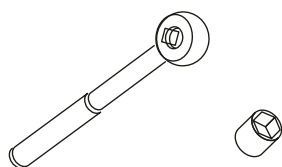
1. Read all instructions before using the equipment.  
These instructions are written to ensure your safety and to protect the unit.
2. Use the equipment only for its intended purpose as described in this guide.  
Do not use accessory attachments that are not recommended by the manufacturer: such attachments might cause injuries.
3. The product should only be used on a level surface and is with 0.5 meters space around the product.  
Do not use the equipment outdoors.
4. Do not allow children on or near the equipment. And children are not allowed to use this equipment.  
Teenagers should use this equipment with adult supervision.
5. Do not overexert yourself or work to exhaustion.  
Do not attempt to lift more weight than you can control safely.  
If you feel any pain or abnormal symptoms, stop your workout immediately and consult your physician.
6. This equipment is not used as medical apparatus and instruments.
7. Never operate the unit when it has been dropped or damaged.  
Never drop or insert anything into any opening in the equipment.  
Always check the unit and its cables before each use. Make sure that all fasteners and cables are secure and in good working condition.  
Frayed or worn cables can be dangerous and may cause injury. Periodically check these cables for any indication of wear.  
Keep hands, limbs, loose clothing and long hair well out of the way of moving parts.
8. Be careful when getting on or off the equipment.
9. Wear proper exercise clothing and shoes for your workout, no loose clothing.

## Instructions

Before beginning assembly please take the time to read instructions thoroughly. Please use the various lists in this manual to make sure that all parts have been included in your shipment. When ordering, use part number and description from the lists. Use only our replacement part when servicing. Failure to do so will void your warranty and could result in personal injury.

The equipment is designed to provide the smoothest, most effective exercise motion possible. After assembly, you should check all functions to ensure correct operation. If you experience problems, first recheck the assembly instructions to locate any possible errors made during assembly. If you are unable to correct the problem, call your authorized dealer. Be sure to have your serial number and this manual when calling. When all parts have been accounted for, continue on.

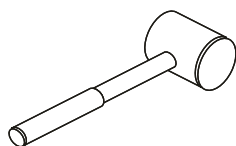
## Tools Required



Ratchet Wrench and Socket



Adjustable Wrench



Rubber Mallet



Hex Key Wrench Set



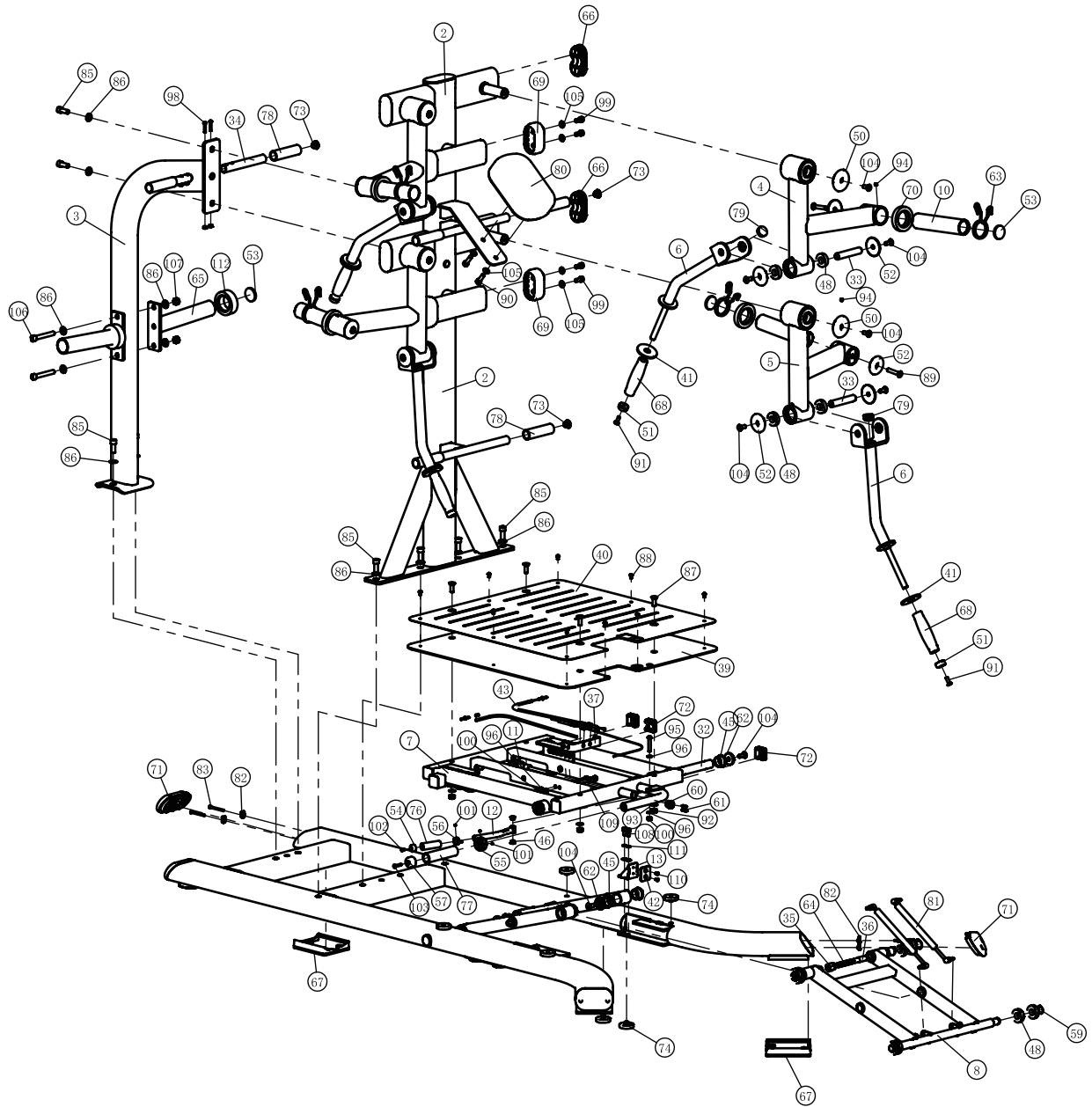
Phillips Screwdriver

# Parts List

**NOTE: SOME OF THESE PARTS MAY COME PRE-INSTALLED.**

Item No.	Description	QTY	Item	Description	QTY
1	Bottom Cross Brace	1	66	Plug PT50×100	4
2	Upright Frame	1	67	Foot pad 114.1×141.1×26	3
3	Support Frame	1	68	Grip $\phi 35.7 \times \phi 16.6 \times 136.5$	4
4	Arm Frame	2	69	Rubber Bumper 60×100×42	4
5	Arm Frame	2	70	Rubber Bumper $\phi 78 \times \phi 47.5 \times 15$	4
6	Handle Frame	4	71	PT60×120	4
7	Foot Frame	1	72	Plug F38	6
8	Connecting rod welding components	1	73	Plug $\phi 25 \times 4$ L	6
9	Connecting rod frame	2	74	Damping pad $\phi 45 \times \phi 12.7 \times 16.5$	8
10	Barbell stand	4	75	Adjustable Foot	1
11	Lead hook weldment	1	76	Grip ST $\phi 21 \times \phi 14 \times 65$	1
12	Handle Frame	1	77	Grip $\phi 31 \times \phi 24 \times 128$	1
13	Stop block	2	78	Grip ST $\phi 24 \times \phi 31 \times 110$	6
31	Connecting shaft $\phi 18 \times 76$	2	79	Plug $\phi 32$	4
32	Connecting shaft $\phi 25.4 \times 150.5$	2	80	Arm Pad 230×150×70	1
33	Connecting shaft $\phi 20 \times 104$	4	81	Gas Spring	2
34	Support tube $\phi 25 \times 2.0 \times 180$	2	82	Reed M5	8
35	Lock nut $\phi 22 \times 30 \times M18$	2	83	Cross Recessed Pan Head Screw M5×60	8
36	Fork $\phi 15.8 \times 60 \times M5$	2	85	Socket Head Cap Screw M12×30	8
37	Limit plate 206×26×4	1	86	Flat Washer $\phi 13.5 \times \phi 24 \times 2.5$	12
38	Spacer sleeve $\phi 40 \times \phi 30.5 \times 3$	4	87	Flat Head Cap Screw M10×60	4
39	Foot Frame 740×700×4	1	88	Button Head Cap Screw M6×10	9
40	Foot pedal liner 730×690×1.5	1	89	Flat Head Cap Screw M10×55	4
41	Rubber pad $\phi 65 \times 5$	4	90	Socket Head Cap Screw M10×30	2
42	Limit plate 44×40×5	2	91	Flat Head Cap Screw M8×25	4
43	Cable	2	92	Nylon Lock Nut M10	4
44	Copper bearing $\phi 26 \times \phi 18 \times 18$	8	93	Flat Washer $\phi 11 \times \phi 20 \times 1.5$	4
45	Copper bearing $\phi 38 \times \phi 25.4 \times 18$	12	94	Socket Set Screw M8×6	4
46	Bush $\phi 16 \times \phi 8 \times 8$	2	95	Button Head Cap Screw M8×45	1
47	Bearing 6206-2Z	8	96	Flat Washer $\phi 9 \times \phi 16 \times 1.6$	12
48	Bearing 6004-2Z	12	97	Nylon Lock Nut M6	4
49	Bearing 6005-2Z	4	98	Button Head Cap Screw M6×30	4
50	Aluminum End Cap $\phi 70 \times \phi 10.5 \times 11.1$	4	99	Socket Head Cap Screw M10×20	12
51	Aluminum End Cap $\phi 30 \times 13.5$	4	100	Nylon Lock Nut M8	6
52	Aluminum End Cap $\phi 60 \times \phi 10.5 \times 10.9$	12	101	Socket Set Screw M5×3	4
53	Aluminum blocking plate $\phi 42.9 \times 6$	6	102	Flat Head Cap Screw M5×10	1
54	Aluminium Cap $\phi 22 \times \phi 17 \times 12$	1	103	Flat Head Cap Screw M6×30	1
55	Aluminum Ring $\phi 40 \times \phi 26.8 \times 19$	1	104	Flat Head Cap Screw M10×25	18
56	Aluminium Cap $\phi 22 \times \phi 17 \times 9.5$	1	105	Flat Washer $\phi 11 \times \phi 20 \times 2$	14
57	Aluminium Cap $\phi 32.5 \times \phi 26 \times 19$	1	106	Socket Head Cap Screw M12×85	2
58	Axial Elastic Retaining Ring $\phi 25$	2	107	Nylon Lock Nut M12	2
59	Axial Elastic Retaining Ring $\phi 20$	2	108	Socket Head Cap Screw M8×15	4
60	Lock nut M20×1.5×18	1	109	Socket Head Cap Screw M8×55	3
61	Chain buckle P=12.7	1	110	Flat Head Cap Screw M5×10	4
62	End Cap $\phi 38 \times 6$	6	111	Spring Washer $\phi 8$	4
63	Snap Spring $\phi 48$	4	112	Rubber Bumper $\phi 76.2 \times \phi 47.9 \times 25.4$	2
64	Spring $\phi 1.5 \times \phi 13 \times 64$	2	113	Spring Washer $\phi 10$	4
65	Bell pole frame	2			

# Exploded View



# Measurement Guide



BHCS = Button Head Cap Screw



SHCS = Socket Head Cap Screw



FHCS = Flat Head Cap Screw



HHB = Hex Head Bolt



Millimeters



Inches

## Assembly Instructions

Assembly of the equipment takes professional installers about 2 hours. If this is the first time you have assembled this type of equipment, plan to spend more time. It is strongly recommended to assemble the equipment by professional installers. You may find it quicker, safer, easier to assemble this equipment with the help of a friend, as some of components may be large, heavy or awkward to handle alone. It is important that you assemble your product in a clean, clear, uncluttered area. This will enable you to move around the product while you are fitting components and reduce the possibility of injury during assembly.

### **NOTE**

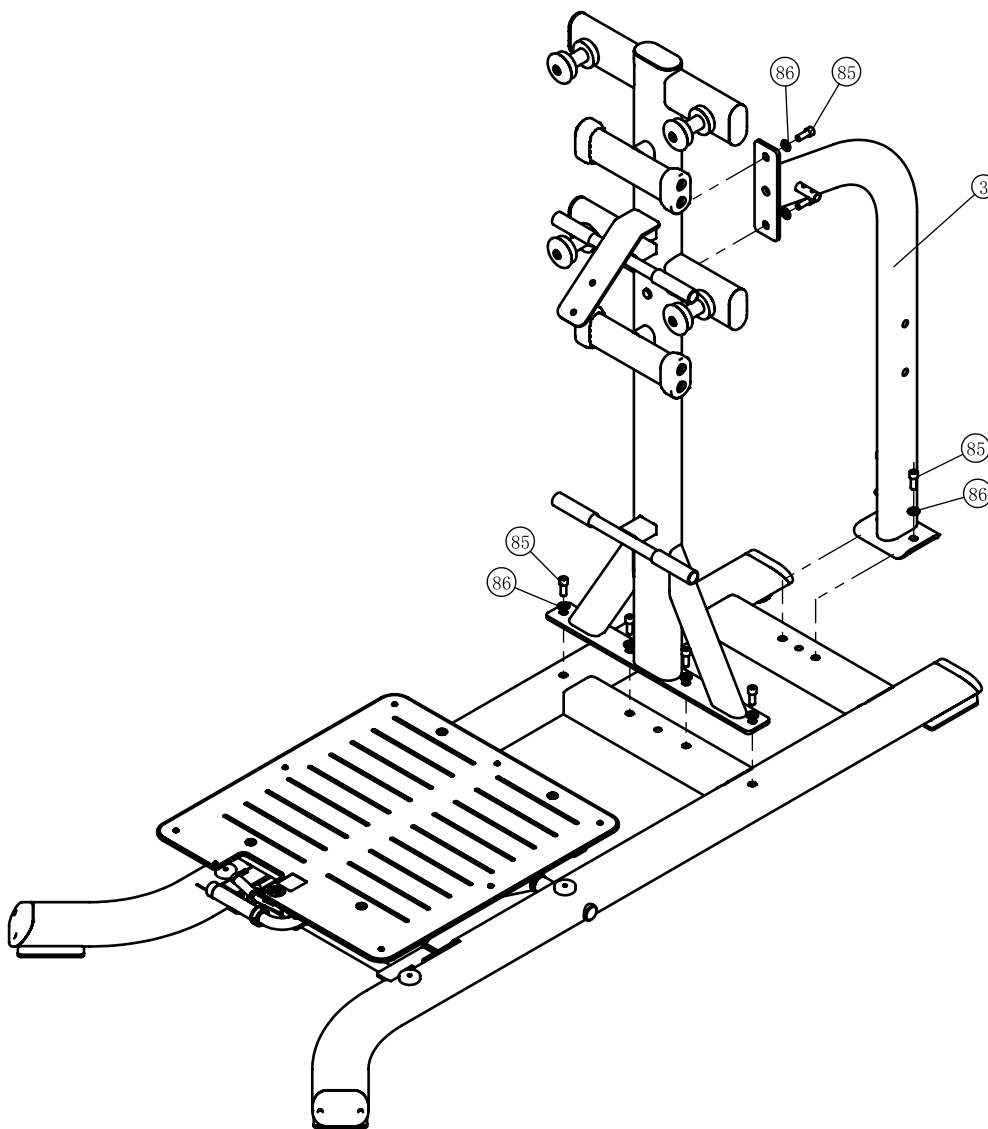
As with any assembled part, proper alignment and adjustment is critical. While tightening the fasteners, be sure to leave room for adjustments. Do not fully tighten the fasteners until instructed to do so. Be careful to assemble the components in the sequence presented in this guide.

# Assembly

## STEP 1

**Note: Hand Tighten Bolts and Nylon Lock Nuts.**

Item No.	Description	QTY
3	Support Frame	1
85	Socket Head Cap Screw M12×30	8
86	Flat Washer $\phi 13.5 \times \phi 24 \times 2.5$	8

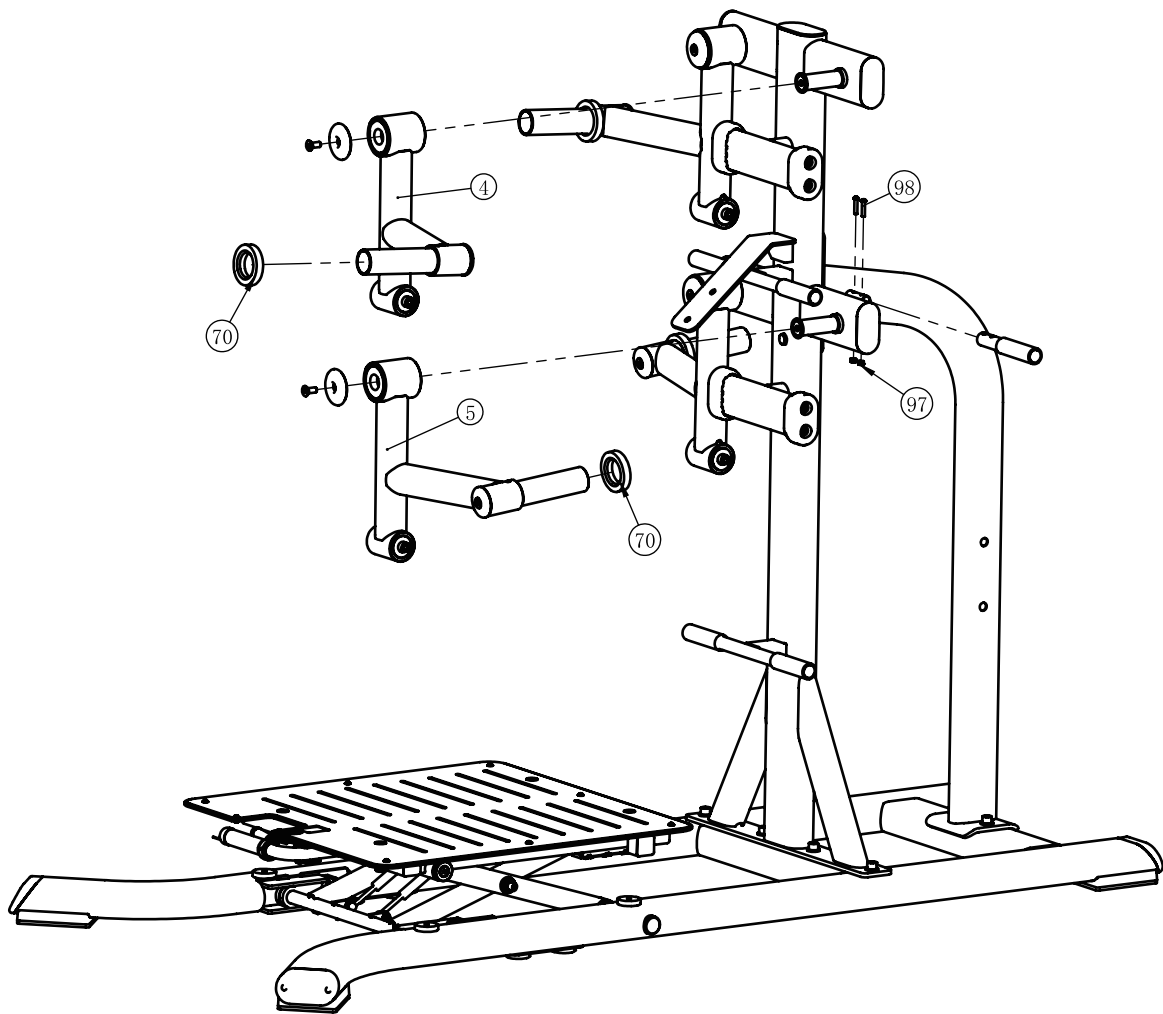


# Assembly

## STEP 2

**Note: Hand Tighten Bolts and Nylon Lock Nuts.**

Item No.	Description	QTY
4	Arm Frame	2
5	Arm Frame	2
70	Rubber Bumper $\phi 78 \times \phi 47.5 \times 15$	4
97	Nylon Lock Nut M6	4
98	Button Head Cap Screw M6 $\times$ 30	4

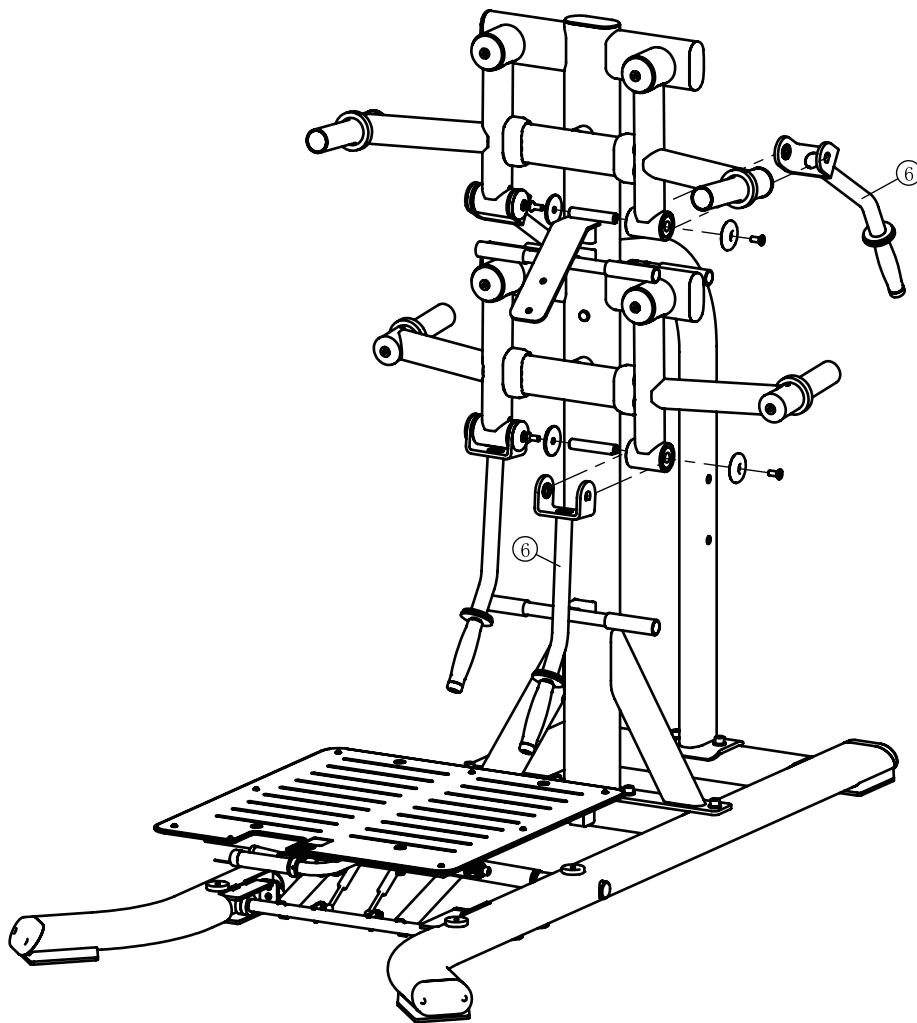


# Assembly

## STEP 3

**Note: Hand Tighten Bolts and Nylon Lock Nuts.**

Item No.	Description	QTY
6	Handle Frame	4

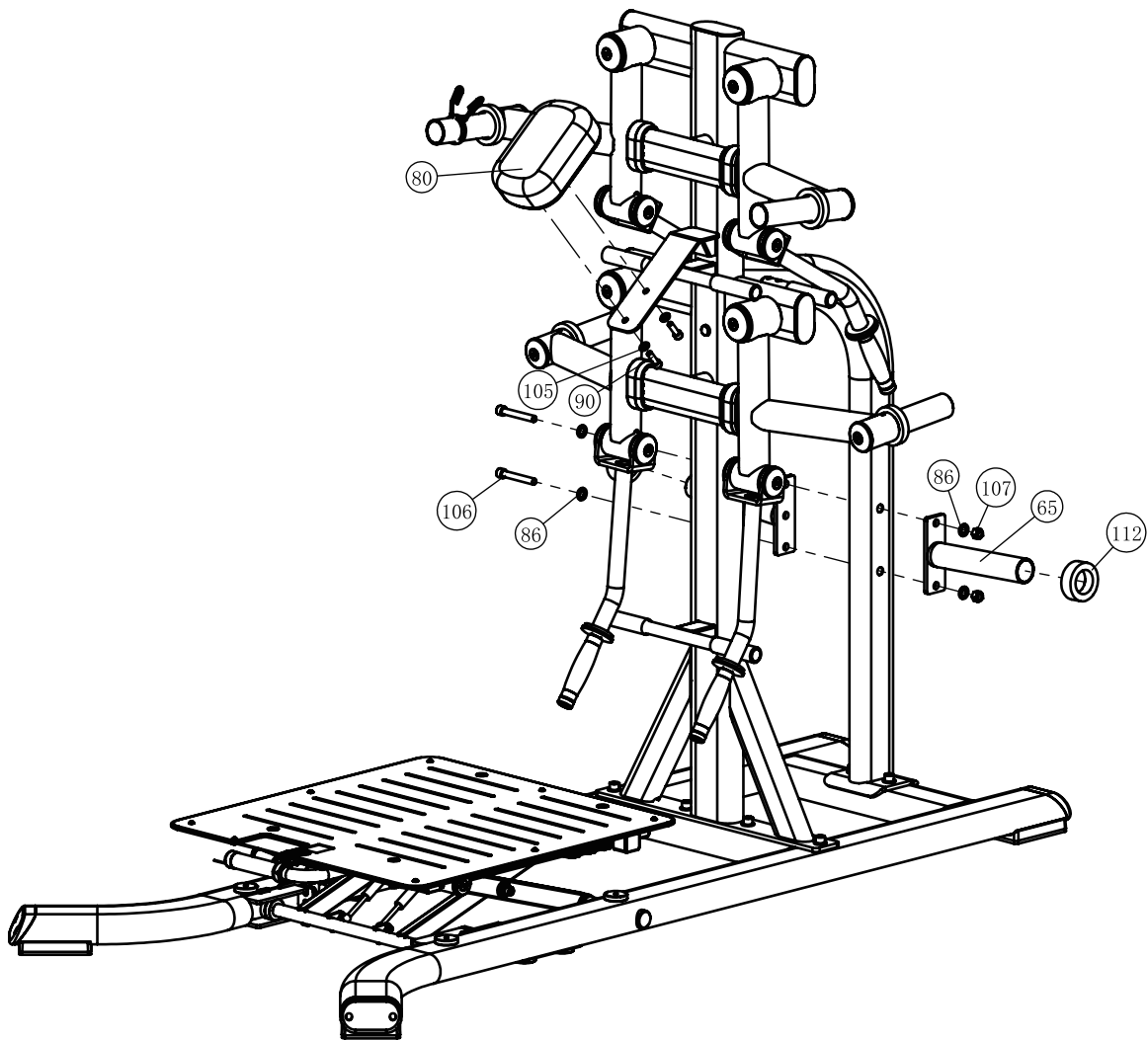


# Assembly

## STEP 4

**Note: Wrench Tighten Screws.**

Item No.	Description	QTY
65	Bell pole frame	2
80	Arm Pad 230×150×70	1
86	Flat Washer $\phi 13.5 \times \phi 24 \times 2.5$	4
90	Socket Head Cap Screw M10×30	2
105	Flat Washer $\phi 11 \times \phi 20 \times 2$	2
106	Socket Head Cap Screw M12×85	2
107	Nylon Lock Nut M12	2
112	Rubber Bumper $\phi 76.2 \times \phi 47.9 \times 25.4$	2



# Maintenance Schedule

ROUTINE	COMMERCIAL MAINTENANCE	HOME MAINTENANCE	LATEST DATE ENTRY						
Inspect; Links, Pull Pins, Snap Locks, Swivels, Weight Stack Pins	DAILY	WEEKLY							
Clean; Upholstery	DAILY	WEEKLY							
Inspect; Cables or Belts and their tension	DAILY	WEEKLY							
Inspect; Accessory Bars, and Handles	WEEKLY	3 MONTHS							
Inspect; All Decals	WEEKLY	3 MONTHS							
Inspect; All Nuts and Bolts, Tighten if needed	WEEKLY	3 MONTHS							
Inspect; Anti-Skid Surface	WEEKLY	3 MONTHS							
Clean & Lubricate; Guide Rods with a Teflon (PTFE) based lubricant (Superlube)	MONTHLY	3 MONTHS							
Lubricate; Seat Sleeves, Turcite Bushings, Linear Bearing	MONTHLY	3 MONTHS							
Clean and Wax; All Glossy Finishes	6 MONTHS	YEARLY							
Repack with Grease; Linear Bearings	6 MONTHS	YEARLY							
Replace; Cables, Belts and Connecting Parts	YEARLY	3 YEARS							

*Your equipment comes with a commercial maintenance decal. For personal, in home use, please follow the home maintenance schedule listed above.*

## General Maintenance Information

### **Links, Pull-Pins, Snap Hooks, Swivels, Weight Stack Pins:**

- \* Check all pieces for signs of visible wear or damage.
- \* Check springs in snap hooks and pull-pins for proper tension and alignment.
- \* If the spring sticks or has lost its rigidity, replace it immediately.

### **Upholstery:**

- \* To ensure prolonged upholstery life and proper hygiene, all upholstered pads should be wiped down with a damp cloth after every workout.
- \* Periodically take the time to use a mild soap or an approved vinyl upholstery cleaner to deter the onset of cracking or drying. Avoid using any abrasive cleaners or cleaners not intended for use on vinyl.
- \* Replace ripped or worn upholstery immediately.
- \* Keep sharp or pointed objects clear of all upholstery.

### **Decals:**

- \* Inspect and familiarize yourself with any safety warnings or other user information posted on each decal.

### **Nuts and Bolts:**

- \* Inspect all nuts and bolts for any loosening and tighten if needed.
- \* Go through a re-tightening sequence periodically to ensure that all hardware is tensioned proper.

### **Anti-Skid Surfaces:**

- \* These surfaces are designed to supply secure footing and need to be replaced if they appear worn or become slippery.

### **Belts and Cables:**

- \* We use only high quality belt, and mil-spec cables.
- \* Visually inspect the belts and cables for fraying, cracking, peeling or discoloration.
- \* While the machine is not in use, carefully run your fingers along the belt or cable to feel for thinning or bulging areas.
- \* Replace belts and cables immediately at the first signs of damage or wear. Do not use equipment until belts or cables have been replaced.

### **Belt and Cable Tension:**

- \* Referring to the Owners Manual, when belts or cables are used check all bolts attachments to be sure they are properly attached.
- \* Check slack in cables and re-adjust cable tension if needed.

### **Seat Sleeves, Guide Rods:**

- \* Wipe down adjusting tubes with a dust free rag before applying lubricant.
- \* Lubricate seat sleeves and Guide Rods with a Silicon or Teflon based lubricant spray.

### **Linear Bearings:**

- \* Referring to the Owners Manual carefully disassemble the bearing from its housing and place a finger full of light grease (lithium, super lube, etc.) into the inside of the bearing. Using your finger, press the grease into the ball-bearings and their tracks. Repeat until the ball-bearing tracks are full of grease. Insert the shaft back into the bearing and wipe off excess grease.

**PLEASE KEEP THIS FOR YOUR RECORDS**

## Weight Training Tips

Use this manual to guide you through the basic exercises you can perform on your equipment. To gain maximum results and avoid possible injury, consult a fitness professional to develop your complete exercise program.

Always consult your physician before starting any exercise program.

To be successful in your exercise program, it is important to develop an understanding of the basic principles of strength training. Now that you have your equipment, it is only natural that you want to get started immediately. First, determine a set of realistic goals and objectives for yourself. By deciding on an exercise plan that is right for you prior to starting, you will contribute significantly to your success.

Warm up properly before engaging in weight resistance training. Stretching, yoga, jogging, calisthenics or other cardiovascular exercise can help prepare your body for the heavier workload of lifting weights.

Learn how to perform the exercise correctly before using heavy weight. Correct form is important to avoid injury and to ensure that you work the proper muscle groups.

Know your limitations. If you are new to weight training or are embarking on an exercise regimen after a long layoff, start slowly and build foundational strength over a longer period of time.

Pay attention to your breathing. Exhale when you exert is a general rule of thumb. Never hold your breath.