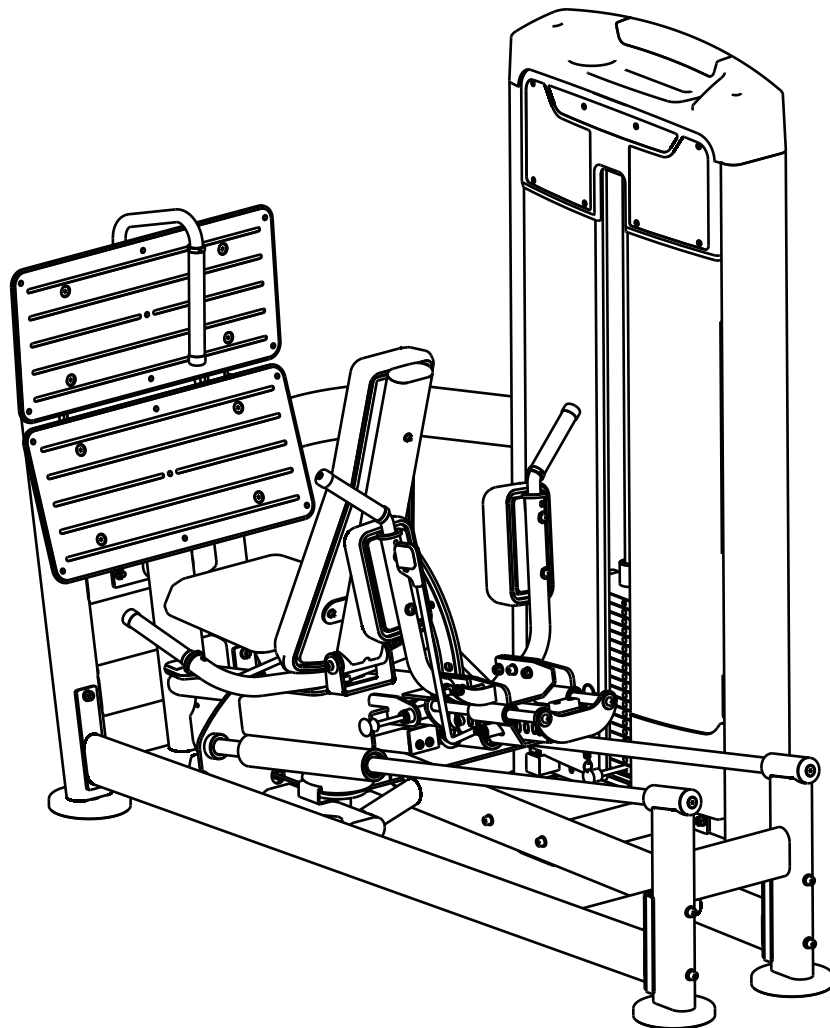


DYNASTY

DRE8016B

SEATED LEG PRESS

OWNER'S MANUAL



! CAUTION

Read all precautions
and instructions in this manual
before using this equipment

Table Of Contents

Read all precautions and instructions in this manual before using this equipment.

Important Safety Instructions-----	3
Instructions-----	4
Parts List-----	5
Exploded View-----	7
Measurement Guide-----	9
Assembly Instructions-----	10
Assembly-----	11
Maintenance Schedule-----	17
General Maintenance Information-----	18
Weight Training Tips-----	19

Important Safety Instructions

Before beginning any fitness program, you should obtain a complete physical examination from your physician. When using exercise equipment, basic precautions should always be taken, including the following:

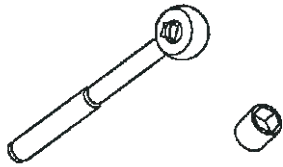
1. Read all instructions before using the equipment.
These instructions are written to ensure your safety and to protect the unit.
2. Use the equipment only for its intended purpose as described in this guide.
Do not use accessory attachments that are not recommended by the manufacturer: such attachments might cause injuries.
3. The product should only be used on a level surface and is with 0.5 meters space around the product.
Do not use the equipment outdoors.
4. Do not allow children on or near the equipment. And children are not allowed to use this equipment.
Teenagers should use this equipment with adult supervision.
5. Do not overexert yourself or work to exhaustion.
Do not attempt to lift more weight than you can control safely.
If you feel any pain or abnormal symptoms, stop your workout immediately and consult your physician.
6. This equipment is not used as medical apparatus and instruments.
7. Never operate the unit when it has been dropped or damaged.
Never drop or insert anything into any opening in the equipment.
Always check the unit and its cables before each use. Make sure that all fasteners and cables are secure and in good working condition.
Frayed or worn cables can be dangerous and may cause injury. Periodically check these cables for any indication of wear.
Keep hands, limbs, loose clothing and long hair well out of the way of moving parts.
8. Be careful when getting on or off the equipment.
9. Wear proper exercise clothing and shoes for your workout, no loose clothing.

Instructions

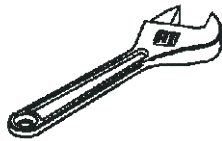
Before beginning assembly please take the time to read instructions thoroughly. Please use the various lists in this manual to make sure that all parts have been included in your shipment. When ordering, use part number and description from the lists. Use only our replacement part when servicing. Failure to do so will void your warranty and could result in personal injury.

The equipment is designed to provide the smoothest, most effective exercise motion possible. After assembly, you should check all functions to ensure correct operation. If you experience problems, first recheck the assembly instructions to locate any possible errors made during assembly. If you are unable to correct the problem, call your authorized dealer. Be sure to have your serial number and this manual when calling. When all parts have been accounted for, continue on.

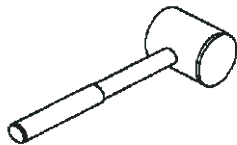
Tools Required



Ratchet Wrench and Socket



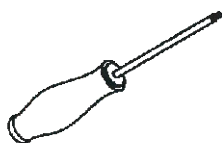
Adjustable Wrench



Rubber Mallet



Hex Key Wrench Set



Phillips Screwdriver

Parts List

NOTE: SOME OF THESE PARTS MAY COME PRE-INSTALLED.

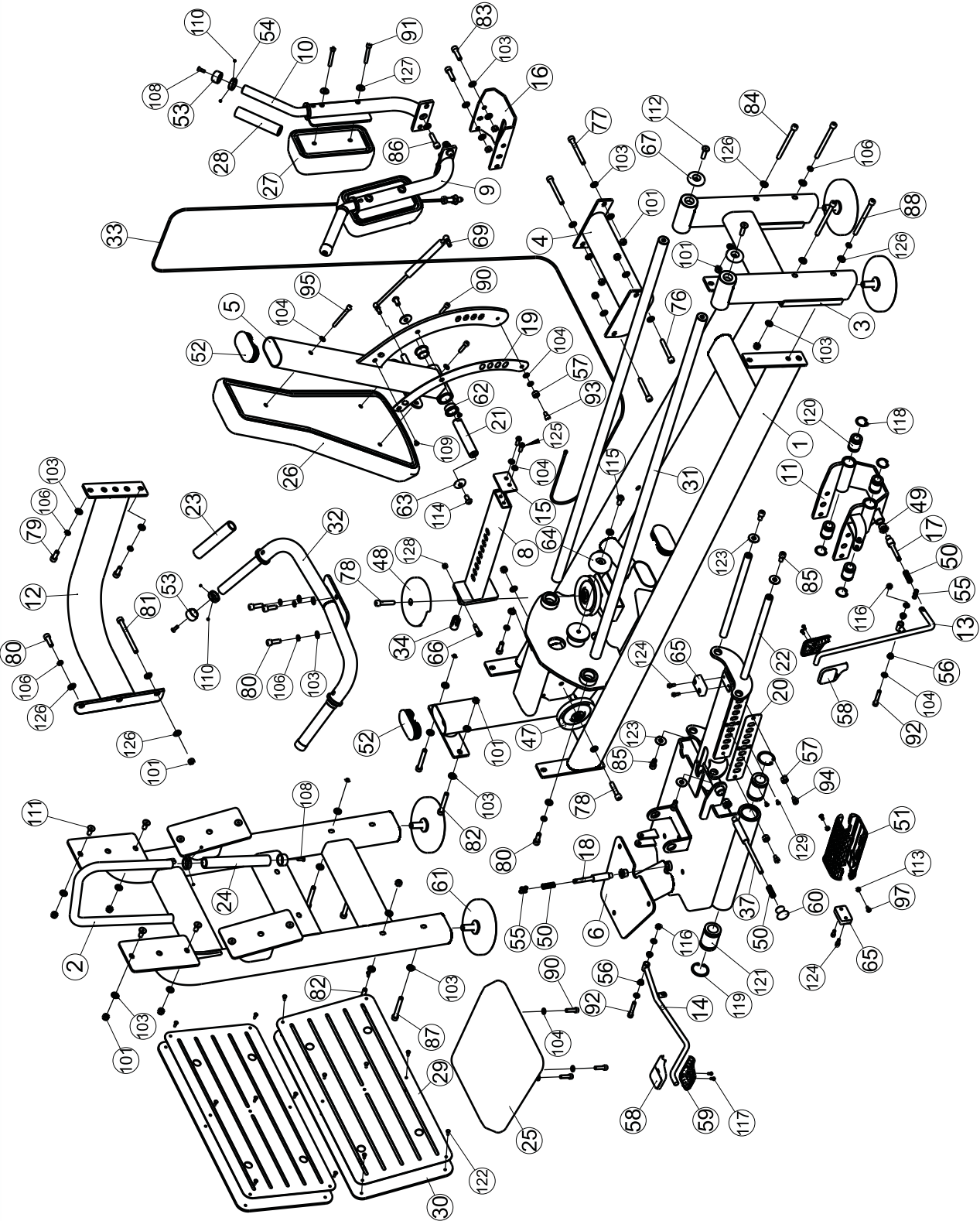
Item No	Description	QTY	Item No	Description	QTY
1	Main Frame	1	38	Pulley	1
2	Pedal Frame	1	39	Rubber Plug $\phi 18.5 \times \phi 15 \times 7$	2
3	Back Support Frame	1	40	Shroud Clip	8
4	Connecting Frame	1	41	Rubber Bumper	2
5	Back Cushion Frame	1	42	Mount Sleeve	2
6	Seat Cushion Sliding Frame	1	43	Tube Plug F38	1
7	Weight Stack Frame	1	44	Rubber Foot	2
8	Sliding Frame	1	45	Weight Plate	1
9	Left Shoulder Cushion Frame	1	46	Selector Pin W/Coil	1
10	Right Shoulder Cushion Frame	1	47	Pulley	4
11	Shoulder Cushion Regulating Frame	1	48	Pulley Cover	3
12	Connecting Frame	1	49	Locking Nut	3
13	Handle Frame	1	50	Spring	3
14	Handle Regulating Frame	1	51	Plastic Tube Guide	2
15	Limit Baffle	1	52	Tube Plug PT50*100	3
16	Stiffening Plate	1	53	Aluminium Grip Cap $\phi 32.5 \times \phi 26 \times 19$	5
17	Shaft $\phi 12.7 \times 90$	1	54	Aluminium Grip Ring $\phi 33 \times \phi 26.8 \times 9.5$	5
18	Shaft $\phi 18.2 \times \phi 12.7 \times 121.5$	1	55	Chain Clasp	2
19	Scratch Board	1	56	Plastic Bushing	4
20	Scratch Board	1	57	Limit Sleeve	3
21	Shaft $\phi 25.4 \times 131$	1	58	Handle Upper Cover Assembly	2
22	Guide Rod $\phi 20 \times 349$	2	59	Handle Lower Cover	2
23	Grip ST $\phi 30 \times \phi 22 \times 150$	2	60	Little Handle	1
24	Grip ST $\phi 30 \times \phi 22 \times 215$	1	61	Floor Stand	4
25	Seat Cushion	1	62	Spacer	2
26	Back Cushion	1	63	Small End Cap	2
27	Shoulder Cushion	2	64	Big Rubber Pad	1
28	Grip ST $\phi 22 \times \phi 30 \times 140$	2	65	Rubber Pad	2
29	Footboard	2	66	Cable Bolt	1
30	Foot pedal	2	67	Shaft End Cap	2
31	Guide Rod $\phi 30 \times 1473.5$	2	68	Connecting Plate	1
32	Handle Frame	1	69	Air Spring	1
33	Cable Assembly	1	70	Upper Shroud	1
34	Cable Joint	1	71	Side Shroud	4
35	Guide Rod $\phi 19 \times 2.0 \times 1319$	2	72	Under Shroud	2
36	Pulley Sleeve	4	73	Back Buckle	1
37	Shaft $\phi 18.2 \times \phi 12.7 \times 213$	1	74	Front Cover	1

Parts List

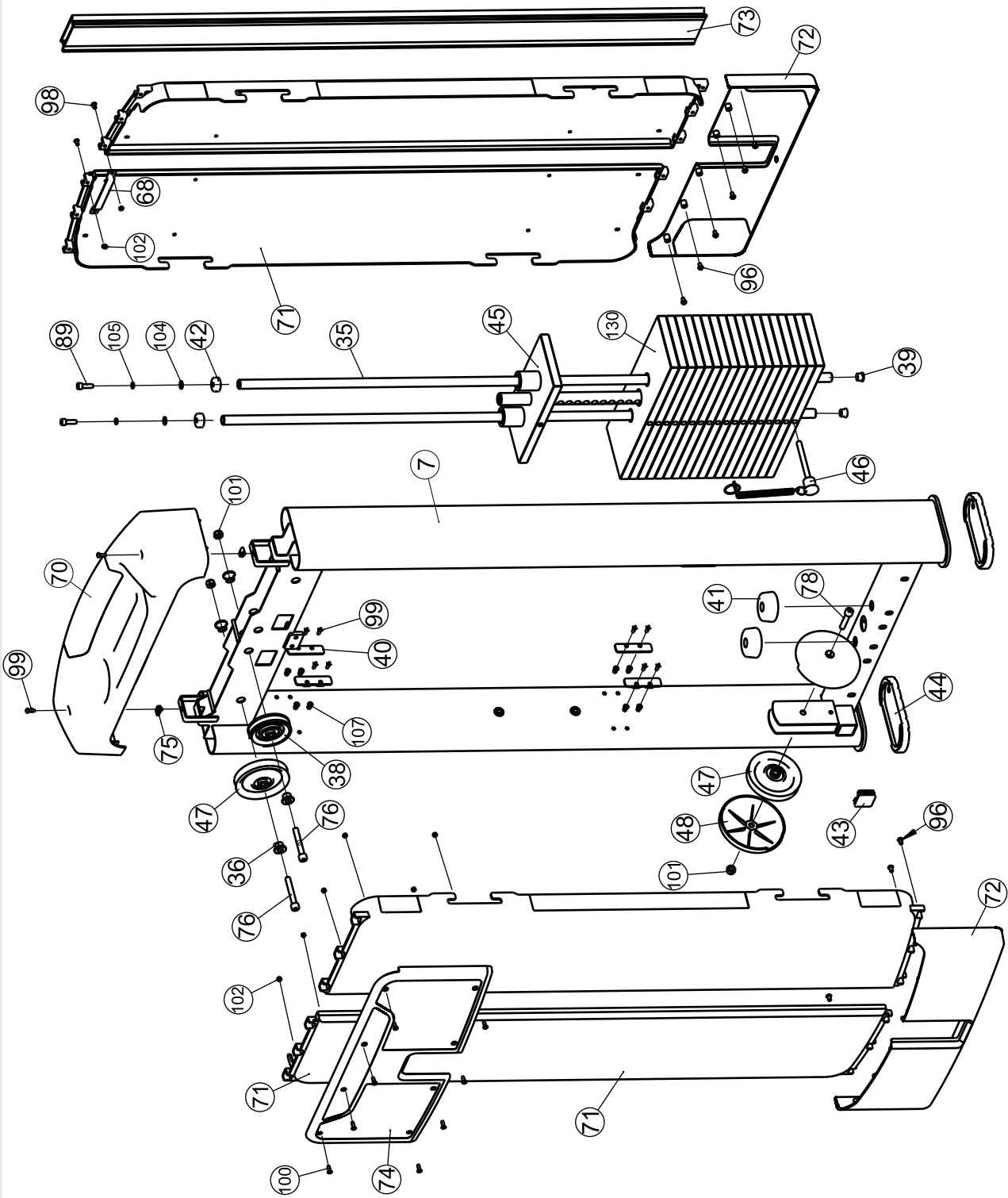
NOTE: SOME OF THESE PARTS MAY COME PRE-INSTALLED.

Item No	Description	QTY	Item No	Description	QTY
75	Stretch Splint	2	104	Flat Washer $\phi 9 * \phi 16 * 1.6$	16
76	Socket Head Cap Screw M10*70	4	105	Spring Washer $\phi 8$	2
77	Socket Head Cap Screw M10*90	2	106	Spring Washer $\phi 10$	12
78	Socket Head Cap Screw M10*50	3	107	Flat Hex Nut M5	16
79	Socket Head Cap Screw M10*25	2	108	Flat Head Cap Screw M6*20	5
80	Socket Head Cap Screw M10*30	6	109	Flat Head Cap Screw M6*10	2
81	Socket Head Cap Screw M10*120	1	110	Socket Set Screw M5*3	10
82	Socket Head Cap Screw M10*75	4	111	Flat Head Cap Screw M10*25	8
83	Socket Head Cap Screw M10*35	4	112	Flat Head Cap Screw M10*40	2
84	Socket Head Cap Screw M10*125	2	113	Hexagon Nut M6	2
85	Socket Head Cap Screw M10*20	4	114	Button Head Cap Screw M10*20	2
86	Socket Head Cap Screw M10*40	2	115	Button Head Cap Screw M10*25	1
87	Socket Head Cap Screw M10*80	2	116	Nylon Lock Nut M8	2
88	Socket Head Cap Screw M10*130	2	117	Button Head Cap Screw M4*10	4
89	Socket Head Cap Screw M8*25	2	118	Circlip For Hole $\phi 32$	4
90	Socket Head Cap Screw M8*30	5	119	Circlip For Hole $\phi 47$	4
91	Socket Head Cap Screw M8*60	4	120	Linear Bearing $\phi 32 * \phi 20 * 42$	4
92	Socket Head Cap Screw M8*50	2	121	Linear Bearing $\phi 47 * \phi 30 * 68$	4
93	Socket Head Cap Screw M8*15	1	122	Rivet $\phi 5 \times 13$	14
94	Socket Head Cap Screw M8*12	2	123	Flat Washer $\phi 11 * \phi 30 * 2$	4
95	Socket Head Cap Screw M8*75	1	124	Socket Head Cap Screw M6*15	4
96	Button Head Cap Screw M6*10	12	125	Button Head Cap Screw M8*25	2
97	Button Head Cap Screw M6*12	2	126	Arc Washer $\phi 10$	7
98	Button Head Cap Screw M5*10	2	127	Arc Washer $\phi 8$	4
99	Button Head Cap Screw M5*15	18	128	Nut 5/16"-18x8	1
100	Flat Head Philips Screw M5*15	8	129	Flat Head Cap Screw M5*10	2
101	Nylon Lock Nut M10	27	130	Weight Plate	18
102	Nylon Lock Nut M5	10	131	Lube Oil Box	1
103	Flat Washer $\phi 11 * \phi 20 * 2$	48			

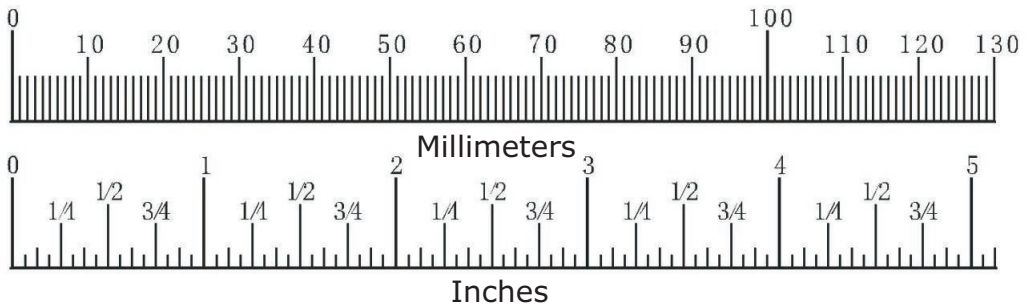
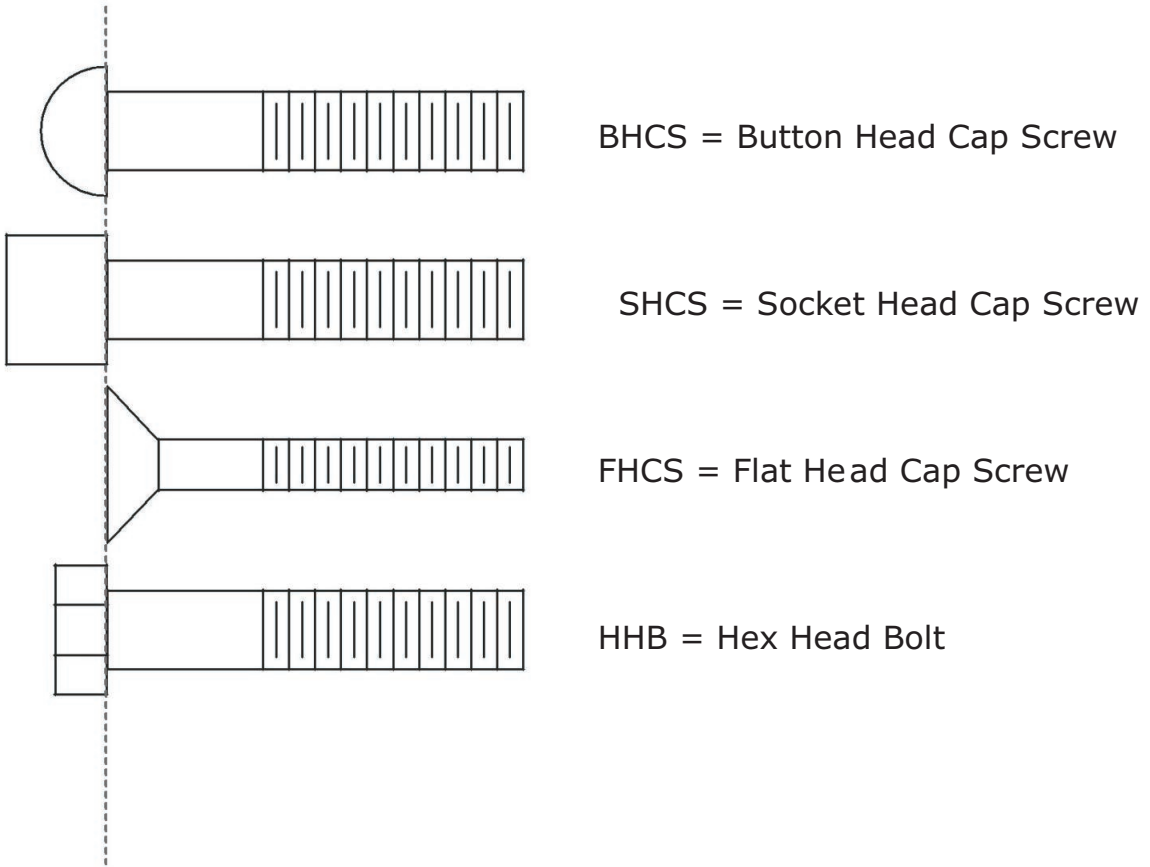
Exploded View



Exploded View



Measurement Guide



Assembly Instructions

Assembly of the equipment takes professional installers about 2 hours. If this is the first time you have assembled this type of equipment, plan to spend more time. It is strongly recommended to assemble the equipment by professional installers. You may find it quicker, safer, easier to assemble this equipment with the help of a friend, as some of components may be large, heavy or awkward to handle alone. It is important that you assemble your product in a clean, clear, uncluttered area. This will enable you to move around the product while you are fitting components and reduce the possibility of injury during assembly.



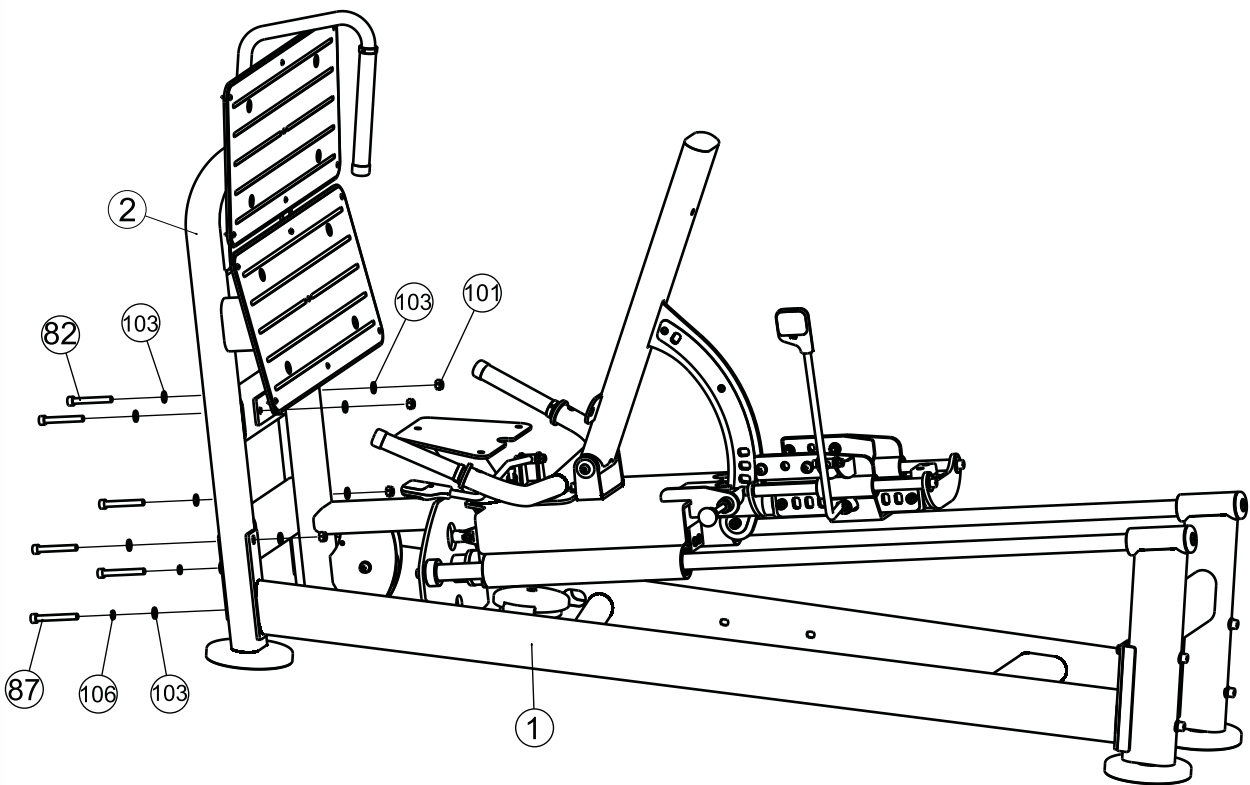
NOTE

As with any assembled part, proper alignment and adjustment is critical. While tightening the fasteners, be sure to leave room for adjustments. Do not fully tighten the fasteners until instructed to do so. Be careful to assemble the components in the sequence presented in this guide.

Assembly

Step 1

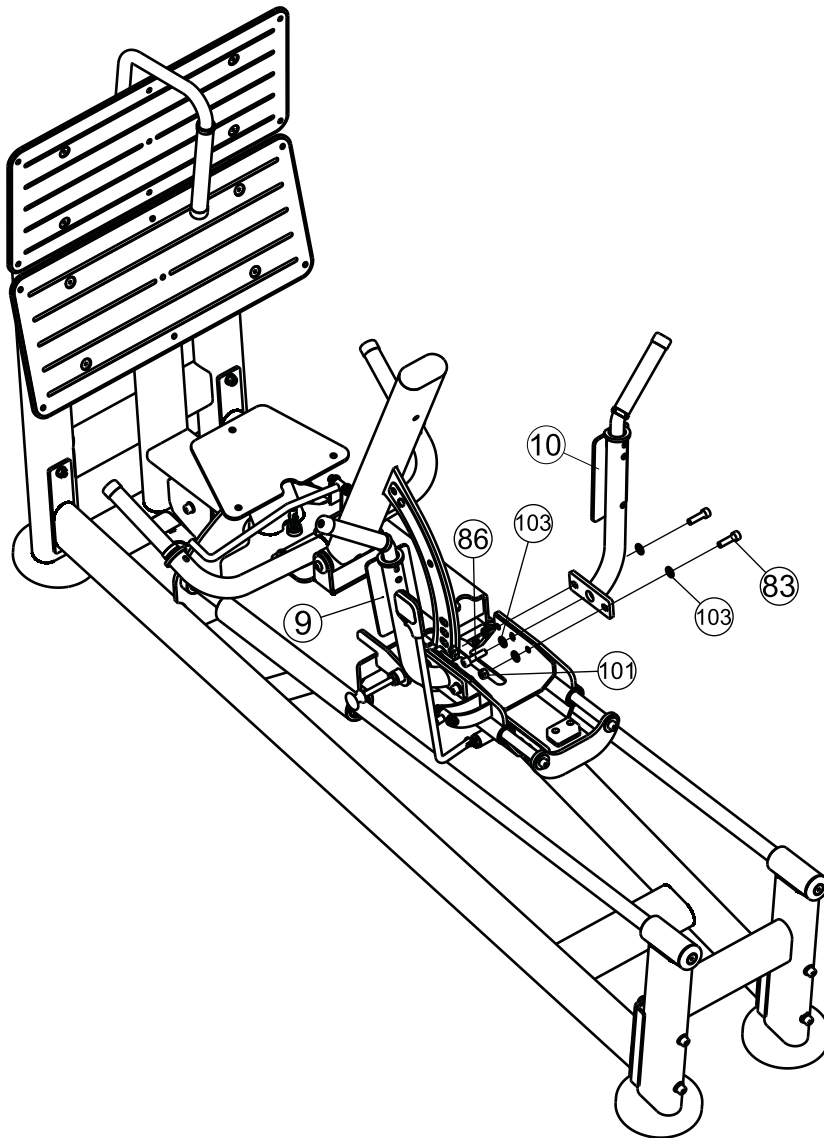
Item No	Description	QTY	Item No	Description	QTY
1	Main Frame	1	101	Nylon Lock Nut M10	4
2	Pedal Frame	1	103	Flat Washer $\phi 11 * \phi 20 * 2$	10
82	Socket Head Cap Screw M10*75	4	106	Spring Washer $\phi 10$	2
87	Socket Head Cap Screw M10*80	2			



Assembly

Step 2

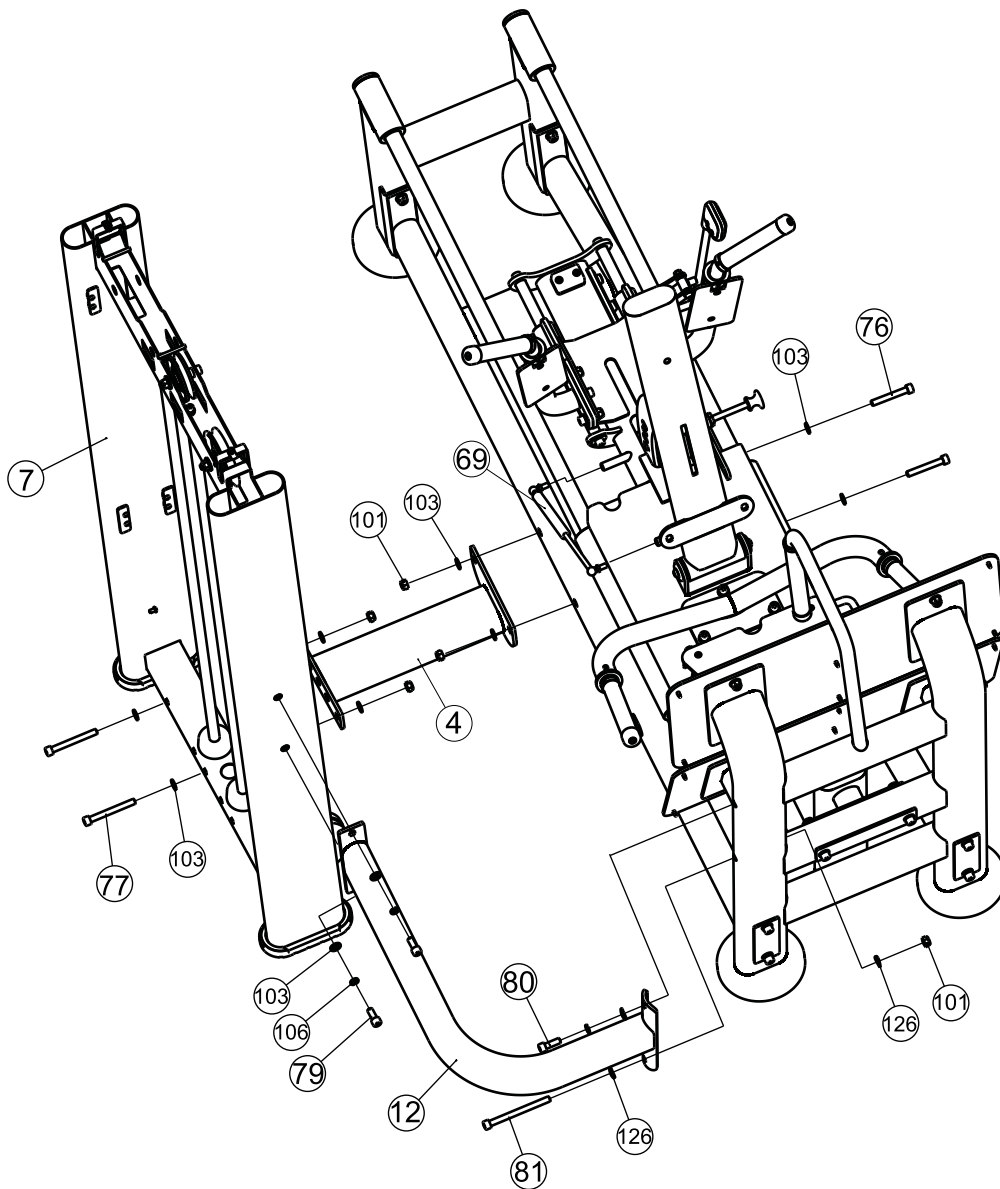
Item No	Description	QTY	Item No	Description	QTY
9	Left Shoulder Cushion Frame	1	86	Socket Head Cap Screw M10*40	2
10	Right Shoulder Cushion Frame	1	101	Nylon Lock Nut M10	4
83	Socket Head Cap Screw M10*35	4	103	Flat Washer $\phi 11 * \phi 20 * 2$	10



Assembly

Step 3

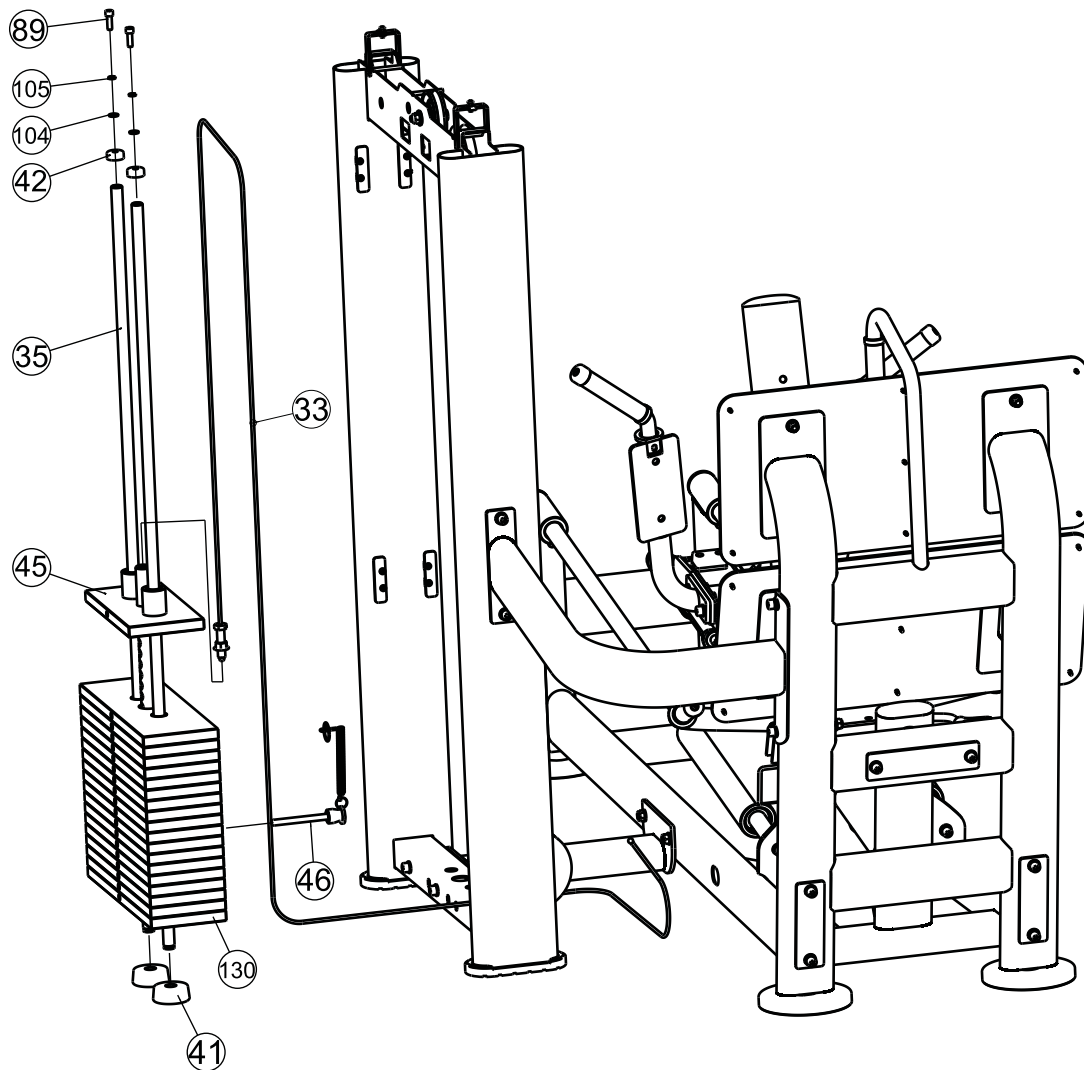
Item No	Description	QTY	Item No	Description	QTY
4	Connecting Frame	1	80	Socket Head Cap Screw M10*30	1
7	Weight Stack Frame	1	81	Socket Head Cap Screw M10*120	1
12	Connecting Frame	1	101	Nylon Lock Nut M10	5
69	Air Spring	1	103	Flat Washer $\phi 11 * \phi 20 * 2$	10
76	Socket Head Cap Screw M10*70	2	106	Spring Washer $\phi 10$	3
77	Socket Head Cap Screw M10*90	2	126	Arc Washer $\phi 10$	3
79	Socket Head Cap Screw M10*25	2			



Assembly

Step 4

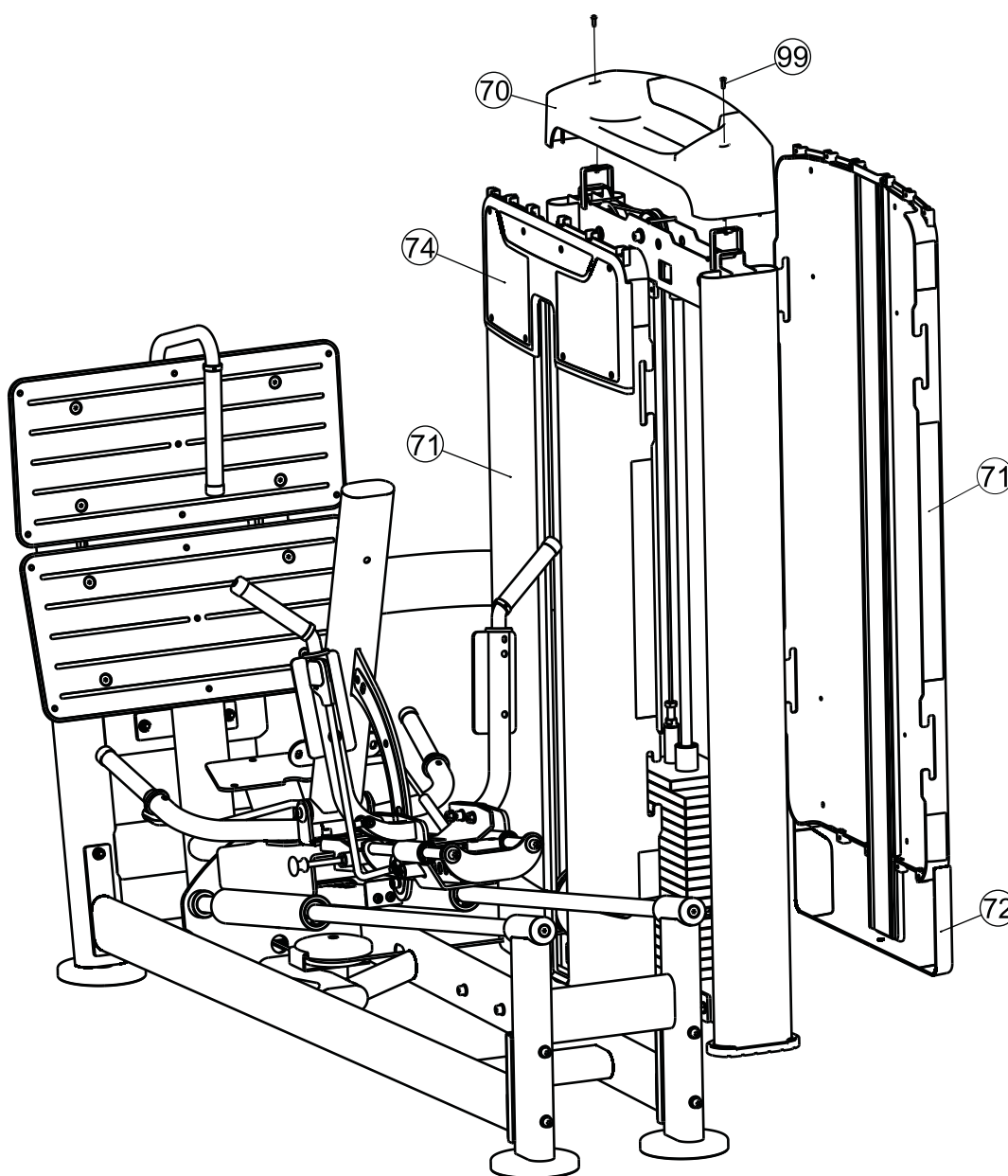
Item No	Description	QTY	Item No	Description	QTY
33	Cable Assembly	1	46	Selector Pin W/Coil	1
35	Guide Rod $\phi 19*2.0*1319$	2	89	Socket Head Cap Screw M8*25	2
41	Rubber Bumper	2	104	Flat Washer $\phi 9*\phi 16*1.6$	2
42	Mount Sleeve	2	105	Spring Washer $\phi 8$	2
45	Weight Plate	1	130	Weight Plate	18



Assembly

Step 5

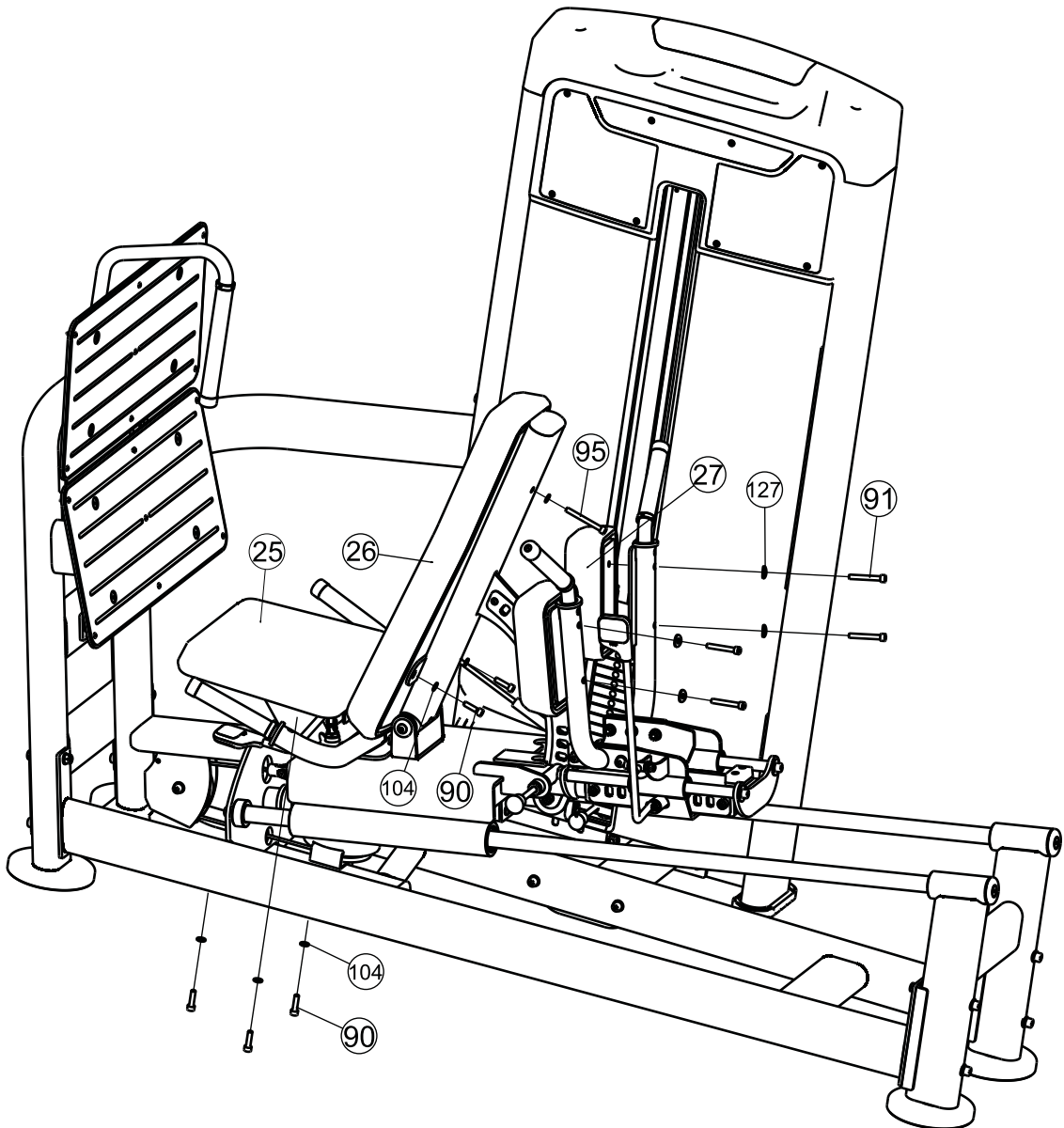
Item No	Description	QTY	Item No	Description	QTY
70	Upper Shroud	1	74	Front Cover	1
71	Side Shroud Assembly	4	99	Button Head Cap Screw M5*15	2
72	Under Shroud	2			



Assembly

Step 6

Item No	Description	QTY	Item No	Description	QTY
25	Seat Cushion	1	91	Socket Head Cap Screw M8*60	4
26	Back Cushion	1	95	Socket Head Cap Screw M8*75	1
27	Shoulder Cushion	2	104	Flat Washer $\phi 9*\phi 16*1.6$	6
90	Socket Head Cap Screw M8*30	5	127	Arc Washer $\phi 8$	4



Maintenance Schedule

ROUTINE	COMMERCIAL MAINTENANCE	HOME MAINTENANCE	LATEST DATE ENTRY						
Inspect; Links, Pull Pins, Snap Locks, Swivels, Weight Stack Pins	DAILY	WEEKLY							
Clean; Upholstery	DAILY	WEEKLY							
Inspect; Cables or Belts and their tension	DAILY	WEEKLY							
Inspect; Accessory Bars, and Handles	WEEKLY	3 MONTHS							
Inspect; All Decals	WEEKLY	3 MONTHS							
Inspect; All Nuts and Bolts, Tighten if needed	WEEKLY	3 MONTHS							
Inspect; Anti-Skid Surface	WEEKLY	3 MONTHS							
Clean & Lubricate; Guide Rods with a Teflon (PTFE) based lubricant (Superlube)	MONTHLY	3 MONTHS							
Lubricate; Seat Sleeves, Turcite Bushings, Linear Bearing	MONTHLY	3 MONTHS							
Clean and Wax; All Glossy Finishes	6 MONTHS	YEARLY							
Repack with Grease; Linear Bearings	6 MONTHS	YEARLY							
Replace; Cables, Belts and Connecting Parts	YEARLY	3 YEARS							

Your equipment comes with a commercial maintenance decal. For personal, in home use, please follow the home maintenance schedule listed above.

General Maintenance Information

Links, Pull-Pins, Snap Hooks, Swivels, Weight Stack Pins:

- * Check all pieces for signs of visible wear or damage.
- * Check springs in snap hooks and pull-pins for proper tension and alignment.
- * If the spring sticks or has lost its rigidity, replace it immediately.

Upholstery:

- * To ensure prolonged upholstery life and proper hygiene, all upholstered pads should be wiped down with a damp cloth after every workout.
- * Periodically take the time to use a mild soap or an approved vinyl upholstery cleaner to deter the onset of cracking or drying. Avoid using any abrasive cleaners or cleaners not intended for use on vinyl.
- * Replace ripped or worn upholstery immediately.
- * Keep sharp or pointed objects clear of all upholstery.

Decals:

- * Inspect and familiarize yourself with any safety warnings or other user information posted on each decal.

Nuts and Bolts:

- * Inspect all nuts and bolts for any loosening and tighten if needed.
- * Go through a re-tightening sequence periodically to ensure that all hardware is tensioned properly.

Anti-Skid Surfaces:

- * These surfaces are designed to supply secure footing and need to be replaced if they appear worn or become slippery.

Belts and Cables:

- * We use only high quality belt, and mil-spec cables.
- * Visually inspect the belts and cables for fraying, cracking, peeling or discoloration.
- * While the machine is not in use, carefully run your fingers along the belt or cable to feel for thinning or bulging areas.
- * Replace belts and cables immediately at the first signs of damage or wear. Do not use equipment until belts or cables have been replaced.

Belt and Cable Tension:

- * Referring to the Owners Manual, when belts or cables are used check all bolt attachments to be sure they are properly attached.
- * Check slack in cables and re-adjust cable tension if needed.

Seat Sleeves, Guide Rods:

- * Wipe down adjusting tubes with a dust free rag before applying lubricant.
- * Lubricate seat sleeves and Guide Rods with a Silicon or Teflon based lubricant spray.

Linear Bearings:

- * Referring to the Owners Manual carefully disassemble the bearing from its housing and place a finger full of light grease (lithium, super lube, etc.) into the inside of the bearing. Using your finger, press the grease into the ball-bearings and their tracks. Repeat until the ball-bearing tracks are full of grease. Insert the shaft back into the bearing and wipe off excess grease.

PLEASE KEEP THIS FOR YOUR RECORDS

Weight Training Tips

Use this manual to guide you through the basic exercises you can perform on your equipment. To gain maximum results and avoid possible injury, consult a fitness professional to develop your complete exercise program.

Always consult your physician before starting any exercise program.

To be successful in your exercise program, it is important to develop an understanding of the basic principles of strength training. Now that you have your equipment, it is only natural that you want to get started immediately.

First, determine a set of realistic goals and objectives for yourself. By deciding on an exercise plan that is right for you prior to starting, you will contribute significantly to your success.

Warm up properly before engaging in weight resistance training. Stretching, yoga, jogging, calisthenics or other cardiovascular exercise can help prepare your body for the heavier workload of lifting weights.

Learn how to perform the exercise correctly before using heavy weight. Correct form is important to avoid injury and to ensure that you work the proper muscle groups.

Know your limitations. If you are new to weight training or are embarking on an exercise regimen after a long layoff, start slowly and build foundational strength over a longer period of time.

Pay attention to your breathing. Exhale when you exert is a general rule of thumb. Never hold your breath.